

Wide TH roof hood



Wide TH roof hood is robust and perfectly suited to systems where low pressure drop and high separation efficiency for rain and fog is important. The vanes of the louvers are Wides proven SP profile which is rated in highest class for rain separation and pressure drop according to EN-NS13030. It also has an efficiency of 99,5% for fog separation provided air speed is above 2 m/s.

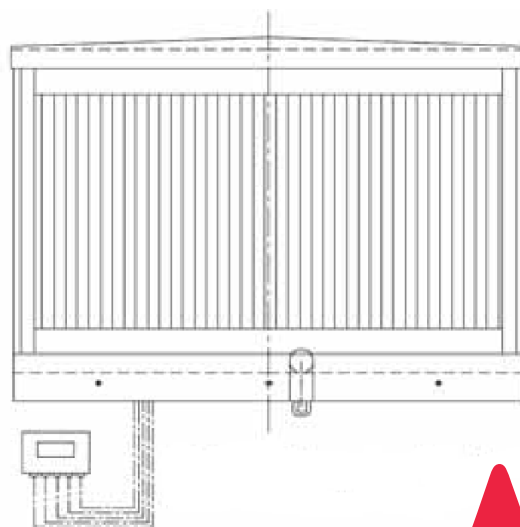
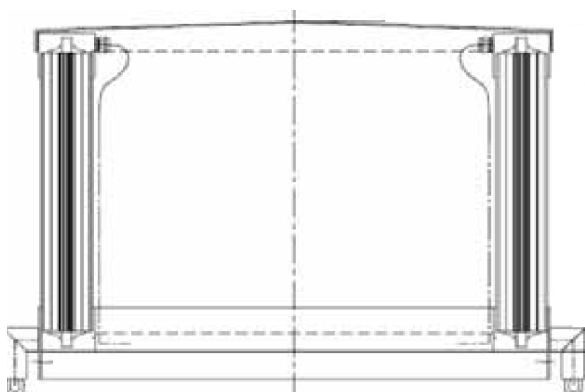
Max. recommended air speed is 2,5 m/s. Integrated drip tray ensures that water is collected and expelled effectively. Wide roof hoods are tailored to the exact dimension requested for each project and customer. This is an advantage especially for rehab projects, as we can make the hood fit exactly on existing socket.

Materials

Roof hood is manufactured of AA6063T6 seawater resistant aluminium. Cross plates inside prevents transverse air flows at high wind speeds. The cover plate on top has four lifting eyes and is removeable.

Wide standard range of TH roof hoods cover air flows from 2.600 m³/h til 37.200 m³/h.

Roof hood Type	m ³ /h @ 1,7m/s & 10Pa dp	m ³ /h @ 2,5m/s & 21Pa dp
TH4K	2.600	3.848
TH6K	4.400	6.408
TH9K	6.400	9.374
TH15K	10.000	15.048
TH20K	13.800	20.000
TH25K	17.000	25.292
TH31K	21.080	31.000
TH37K	25.300	37.200

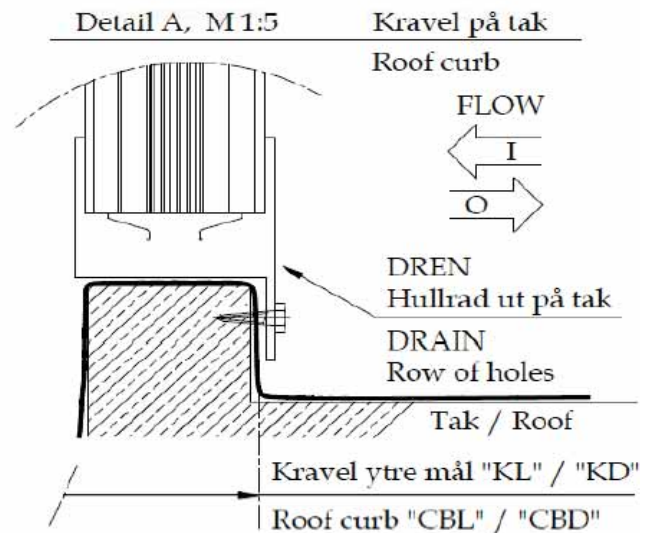
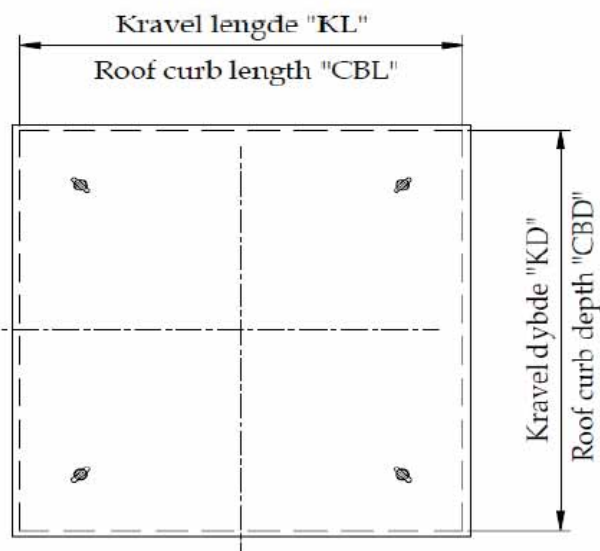
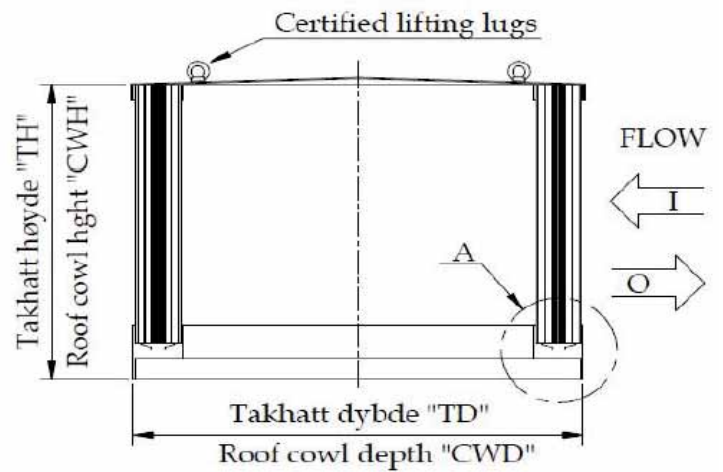
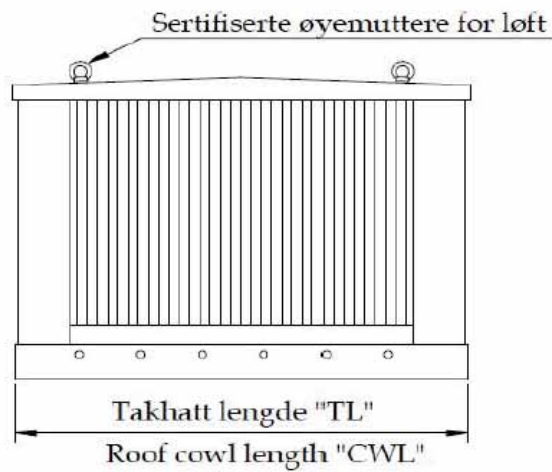


Special options:

- Integrated heat tracing to prevent intake icing (figs. above)
- Painted in any RAL code
- Can also be optimized as air exit

Intake louver on four sides and robust design in corrosion resistant materials ensures high capacity and long lifespan.

Wide TH roof hood



Roof hood Type	TL	TD	TH	KL	KD	Weight, kg
TH4K	645	645	450	615	615	45
TH6K	750	750	535	720	720	64
TH9K	845	845	620	815	815	81
TH15K	990	990	745	960	960	114
TH20K	1.115	1.115	825	1.085	1.085	143
TH25K	1.200	1.200	920	1.170	1.170	175
TH31K	1.300	1.300	1.000	1.270	1.270	206
TH37K	1.410	1.410	1.100	1.380	1.380	243

Dimension table

