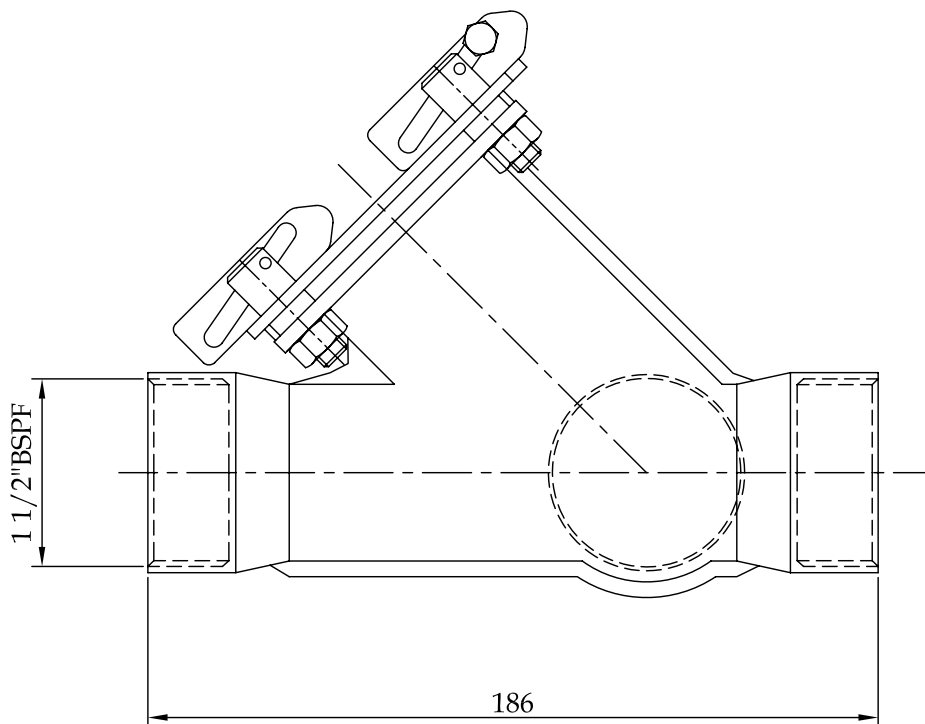


Date: 110809	Product: Wide assembly components Wide Y-Lock drain system ball check valve Assembly with part list	Rev.: A
Name: J.Watvedt		
Format: PDF		
Scale: 1:2	Number: 53216EN1250	



Pos	Quan	Description	Material	Data	Comments
6	1	Bolt M5x15 with Locknut	A4	M5	
5	1	Gasket sponge type	Neopr/EPDM	70x6x85	53216PN1250P5
4	2	Incremental lock	A4	M8	53216PN1250P4
3	1	Lid	AISI316L	71x120x3	53216PN1251
2	1	Valve ball	PE	ø50	53216PN1250P2
1	1	Lock Housing	AISI316	1 1/2" BSPF	53216PN1250P1

A	Replaced Cu ferrule with M5 A4 bolt. 260809 JSW
Rev.	Description of change, date and initials.